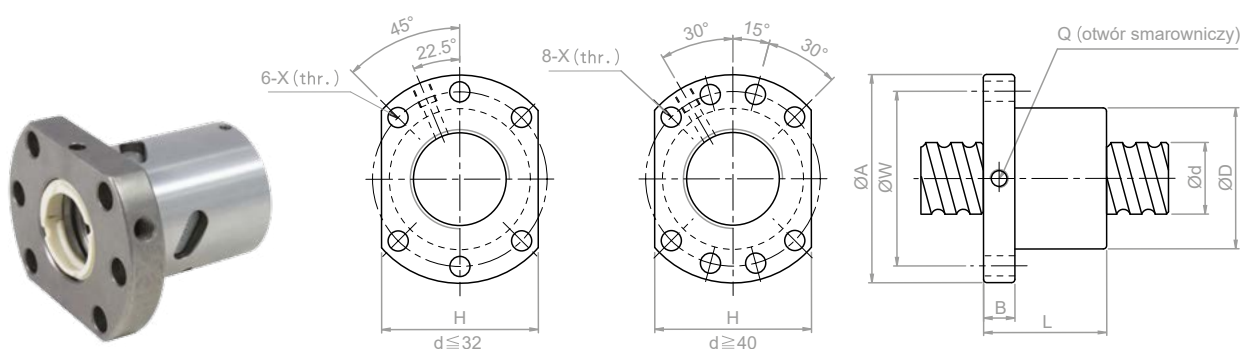


Nakrętki kulowe

Więcej informacji o produktach i marce TBI MOTION na str. 320

Nakrętki kulowe seria SFU - wersja B

DIN 69051



Materiał: SCM415H

kod / model	d	l	Da	wymiary									nośność		K N/μm
				D	A	B	L	W	H	X	Q	n	Ca (N)	Coa (N)	
SFUR01204T4D	12	4	2.5	24	40	10	40	32	30	4.5		1x4	8 846	18 476	255
FUR01604T4D	16	4	2.381	28	48	10	40	38	40	5.5	M6	1x4	9 542	23 595	314
SFUR01605T4D*		5	3.175	28	48	10	50	38	40	5.5	M6	1x4	13 533	29 930	314
SFUR01610T4D		10	3.175	28	48	10	57	38	40	5.5	M6	1x3	10 817	23 546	255
SFUR02004T4D	20	4	2.381	36	58	10	42	47	44	6.6	M6	1x4	10 454	29 292	373
SFUR02005T4D*		5	3.175	36	58	10	51	47	44	6.6	M6	1x4	15 210	38 001	382
SFUR02504T4D	25	4	2.381	40	62	10	42	51	48	6.6	M6	1x4	11 572	37 216	422
SFUR02505T4D*		5	3.175	40	62	10	51	51	48	6.6	M6	1x4	16 907	48 092	441
SFUR02510T4D		10	4.762	40	62	12	85	51	48	6.6	M6	1x4	28 969	71 540	490
SFUR03204T4D	32	4	2.381	50	80	12	44	65	62	9	M6	1x4	12 709	47 445	500
SFUR03205T4D*		5	3.175	50	80	12	52	65	62	9	M6	1x4	18 848	62 204	530
SFUR03210T4D*		10	6.35	50	80	12	90	65	62	9	M6	1x4	47 121	119 720	598
SFUR04005T4D*	40	5	3.175	63	93	14	55	78	70	9	M8	1x4	20 692	78 336	618
SFUR04010T4D*		10	6.35	63	93	14	93	78	70	9	M8	1x4	52 946	152 003	716
SFUR05010T4D*	50	10	6.35	75	110	16	93	93	85	11	M8	1x4	58 879	192 348	834
SFUR06310T4D	63	10	6.35	90	125	18	98	108	95	11	M8	1x4	65 891	248 677	971
SFUR06320T4D		20	9.525	95	135	20	149	115	100	13.5	M8	1x4	112 227	359 443	1 098
SFUR08010T4D	80	10	6.35	105	145	20	98	125	110	13.5	M8	1x4	72 040	313 352	1 069
SFUR08020T4D		20	9.525	125	165	25	154	145	130	13.5	M8	1x4	126 614	468 238	1 353

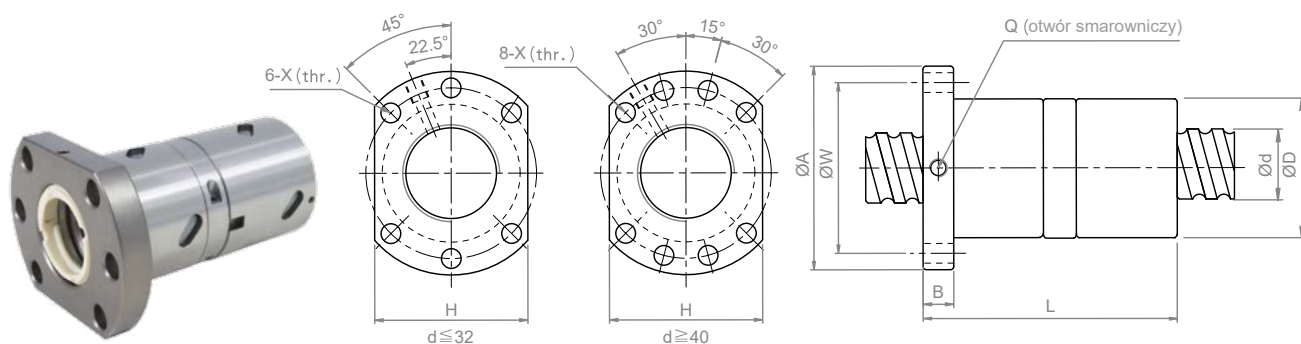
*Dostępne z gwintem lewym.

Nakrętki kulowe

Więcej informacji o produktach i marce TBI MOTION na str. 320

Nakrętki kulowe seria DFU - wersja B

DIN 69051



TBI
TBI MOTION®

Materiał: SCM415H

kod / model	d	l	Da	wymiary									nośność		K N/μm
				D	A	B	L	W	H	X	Q	n	Ca (N)	Coa (N)	
DFUR01604T4D	16	4	2.381	28	48	10	80	38	40	5.5	M6	1x4	9 542	23 595	422
DFUR01605T4D*		5	3.175	28	48	10	100	38	40	5.5	M6	1x4	13 533	29 930	431
DFUR01610T4D*		10	3.175	28	48	10	118	38	40	5.5	M6	1x3	10 817	23 546	343
DFUR02004T4D	20	4	2.381	36	58	10	80	47	44	6.6	M6	1x4	10 454	29 292	500
DFUR02005T4D*		5	3.175	36	58	10	101	47	44	6.6	M6	1x4	15 210	38 001	520
DFUR02504T4D	25	4	2.381	40	62	10	80	51	48	6.6	M6	1x4	11 572	37 216	588
DFUR02505T4D*		5	3.175	40	62	10	101	51	48	6.6	M6	1x4	16 907	48 092	608
DFUR02510T4D*		10	4.762	40	62	12	145	51	48	6.6	M6	1x4	28 969	71 540	657
DFUR03204T4D	32	4	2.381	50	80	12	80	65	62	9	M6	1x4	12 709	47 445	696
DFUR03205T4D*		5	3.175	50	80	12	102	65	62	9	M6	1x4	18 848	62 204	726
DFUR03210T4D*		10	6.35	50	80	12	162	65	62	9	M6	1x4	47 121	119 720	804
DFUR04005T4D*	40	5	3.175	63	93	14	105	78	70	9	M8	1x4	20 692	78 336	853
DFUR04010T4D*		10	6.35	63	93	14	165	78	70	9	M8	1x4	52 946	152 003	971
DFUR05010T4D*	50	10	6.35	75	110	16	171	93	85	11	M8	1x4	58 879	192 348	1 147
DFUR06310T4D*	63	10	6.35	90	125	18	182	108	95	11	M8	1x4	65 891	248 677	1 363
DFUR06320T4D		20	9.525	95	135	20	290	115	100	13.5	M8	1x4	112 227	359 443	1 491
DFUR08010T4D	80	10	6.35	105	145	20	182	125	110	13.5	M8	1x4	72 040	313 352	1 530
DFUR08020T4D		20	9.525	125	165	25	295	145	130	13.5	M8	1x4	126 614	468 238	1 834

*Dostępne z gwintem lewym.