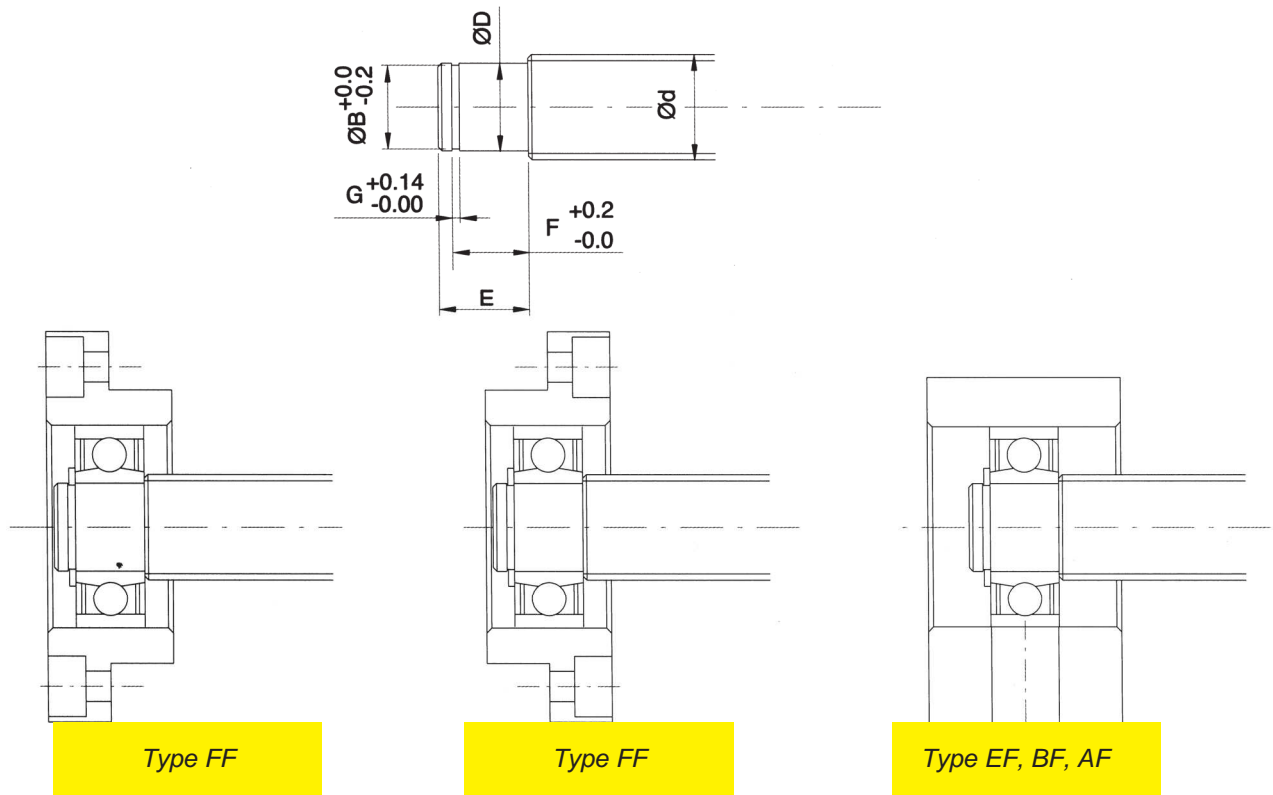


## Recommended shaft end shape (Fixed-side FF, EF, BF, AF)



Unit : mm

Support unit model No.				Ballscrew shaft OD	Shaft support portion OD					
FF	EF	BF	AF	<i>d</i>	<i>D</i>		<i>E</i>	<i>B</i>	<i>F</i>	<i>G</i>
FF06	EF06	-	-	8	6	-0.005 -0.012	9	5.7	6.8	0.8
-	EF08	-	-	10	6	-0.005 -0.012	9	5.7	6.8	0.8
FF10	EF10	BF10	AF10	12/14/15	8	-0.005 -0.012	10	7.6	7.9	0.9
FF12	EF12	BF12	AF12	14/15/16	10	-0.005 -0.012	11	9.6	9.15	1.15
FF15	EF15	BF15	AF15	18/20	15	-0.005 -0.014	13	14.3	10.15	1.15
FF17	-	BF17	-	20/25	17	-0.005 -0.014	16	16.2	13.15	1.15
FF20	EF20	(BF20)Note	AF20	25/28/30	20	-0.005 -0.014	19(16)	19	15.35(13.35)	1.35
FF25	-	BF25	-	30/32/36	25	-0.005 -0.014	20	23.9	16.35	1.35
FF30	-	BF30	-	36/40	30	-0.005 -0.015	21	28.6	17.75	1.75
-	-	BF35	-	40/45	35	-0.005 -0.015	22	33	18.75	1.75
-	-	BF40	-	50	40	-0.005 -0.015	23	38	19.75	1.95