

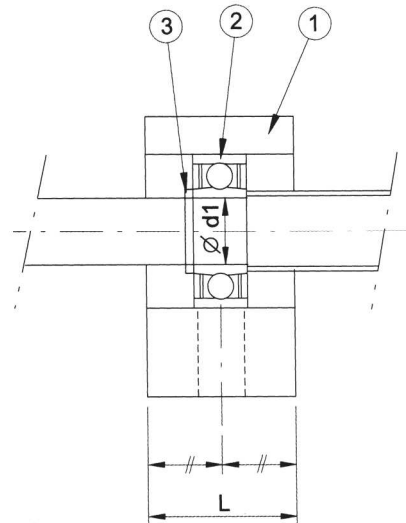
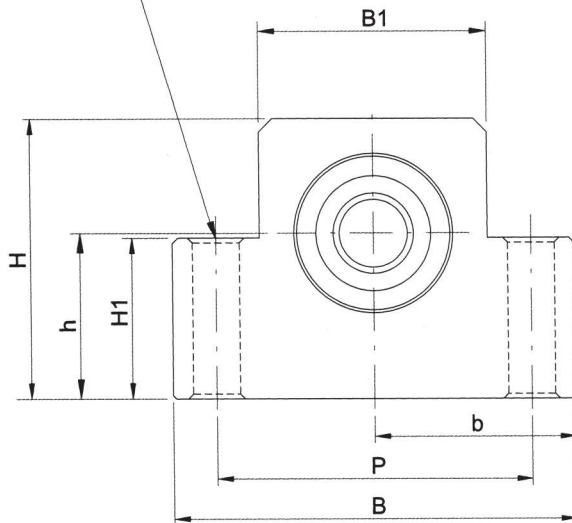
EF

Support Unit EF
(Supported-side rectangular type)

Part No.	Part name	Qty
1	Housing	1
2	Bearing	1 set
3	Snap ring	1

EF

2-X drill $\varnothing Y$ counter bore depth Z



Unit : mm

Model No.	Shaft diameter d1	L	B	H	b	h	B1	H1	P	X	Y	Z	Bearing	Snap ring
					± 0.02	± 0.02								
EF06	6	12	42	25	21	13	18	20	30	5.5	9.5	11	606ZZ	S 6
EF08	6	14	52	32	26	17	25	26	38	6.6	11	12	606ZZ	S 6
EF10	8	20	70	43	35	25	36	24	52	9	-	-	608ZZ	S 8
EF12	10	20	70	43	35	25	36	24	52	9	-	-	6000ZZ	S 10
EF15	15	20	80	49	40	30	41	25	60	9	-	-	6002ZZ	S 15
EF20	20	26	95	58	47.5	30	56	25	75	11	-	-	6204ZZ	S 20

Surface Special treatment is available.